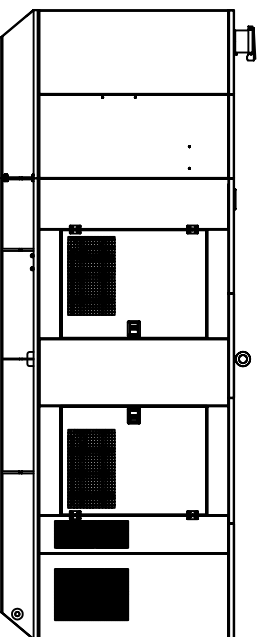
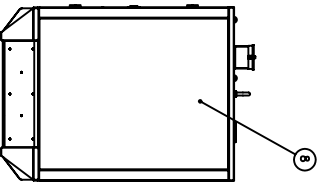
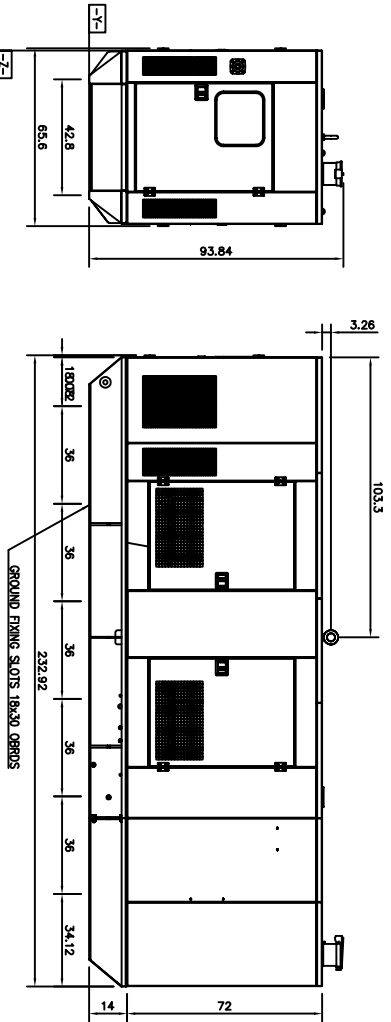
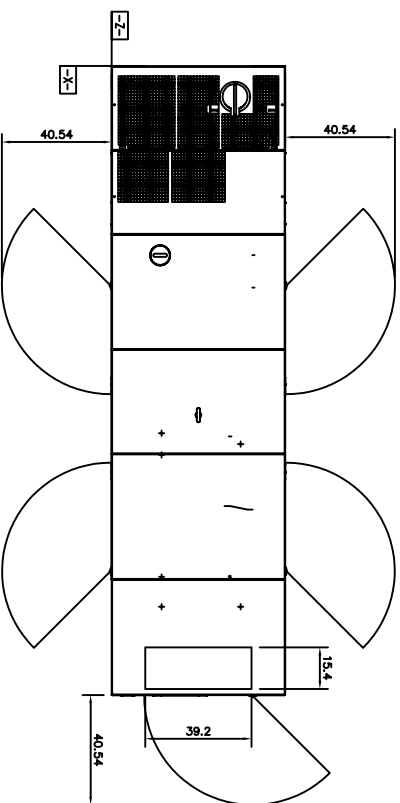
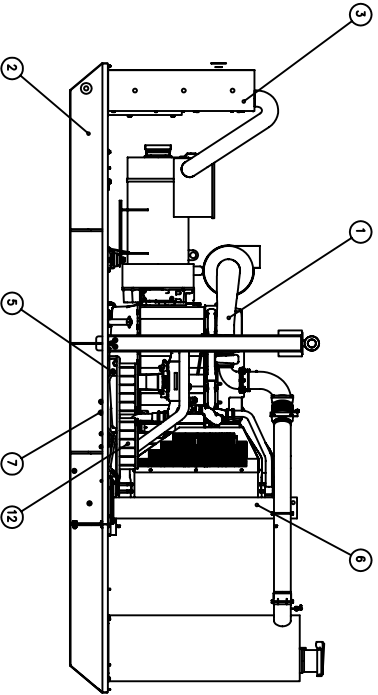


ITEM	X	Y	Z	DESCRIPTION
A	4888	350	1190	TANK VENT 1" BSP
B	4888	350	460	REMOVE FUEL SUPPLY 1" BSP
C	4663	350	460	REMOVE FUEL RETURN 1 1/2" BSP
D	3598	350	1090	FUEL SWITCH 1" BSP
E	3598	350	460	FUEL LIFT 1/2" BSP
F	3598	350	460	FUEL RETURN 1/2" BSP
G	3418	350	1190	FUEL FILL GAUGE 1 1/2" BSP
H	3418	350	1095	FUEL FILL GAUGE 1 1/2" BSP
I	1745	180	1300	SPILLAGE DRAIN 1" BSP
J	2045	40	1300	FUEL OIL DRAIN 1" BSP

GENSET	WT W/OIL	WT W/ OIL & WATER	TANK CAPACITY (L)
2806C-E161AG/1L6014F	5444	5490	880
2806C-E161AG/1L6014H	5454	5500	880
2806C-E161AG/1L6014I	5454	5500	880
2806C-E161AG/1L6014J	5494	5540	880

ITEM	QTY	DESCRIPTION	DWG / PART NO.
1	1	ENGINE / ALT COMBINATION	MGS3864
2	1	BASEFRAME GROUP	MGS4848
3	1	PANEL STAND GROUP	MGS4935
4	1	FUEL LINES GROUP	MGS4880
5	1	OIL DRAIN GROUP	MGS4877
6	1	RADIATOR UPFIT GROUP	MGS4968
7	1	RAD DRAIN ASSY	MGS4944
8	1	CANOPY GROUP	MGS4754
9	1	COUPLING GROUP	MGS3305
10	1	DECALS GROUP	MGS4738
11	1	WARNING LABELS GROUP	MGS4739
12	1	BATTERY TRAY ASSY	MGS4740

\* : ITEMS NOT SHOWN



FOR INFORMATION ONLY

ITEM	DESCRIPTION	DATE	BY	FOR
1	1	24/07/02	S.B.	21048
2	2			
3	3			
4	4			
5	5			
6	6			
7	7			
8	8			

ITEM	DESCRIPTION	DATE	BY	FOR
1	1	24-Apr-02	S BARR	PERKINS 2806 IN SA CANOPY
2	2			
3	3			
4	4			
5	5			
6	6			
7	7			
8	8			

1 2 3 4 5 6 7 8