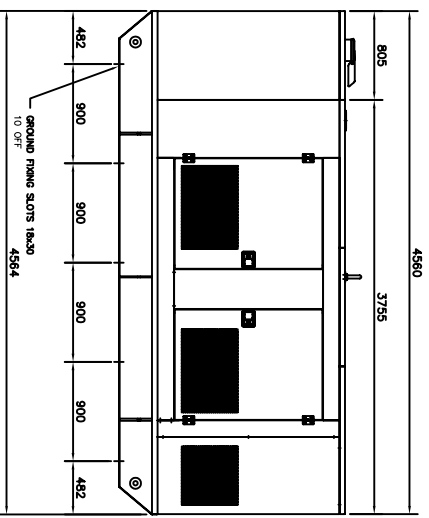
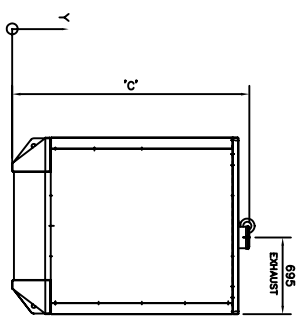
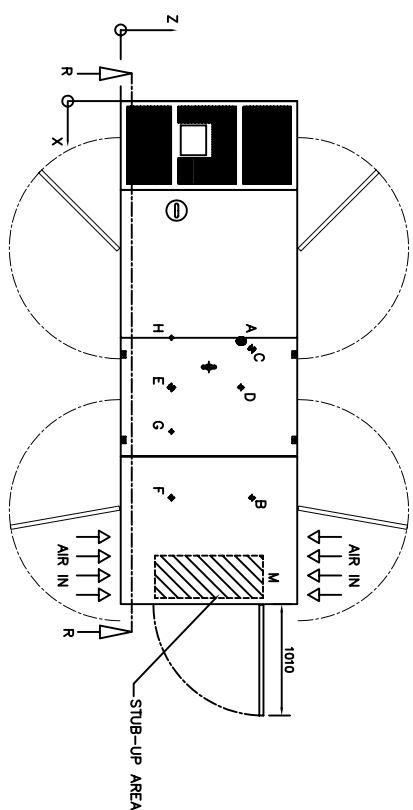
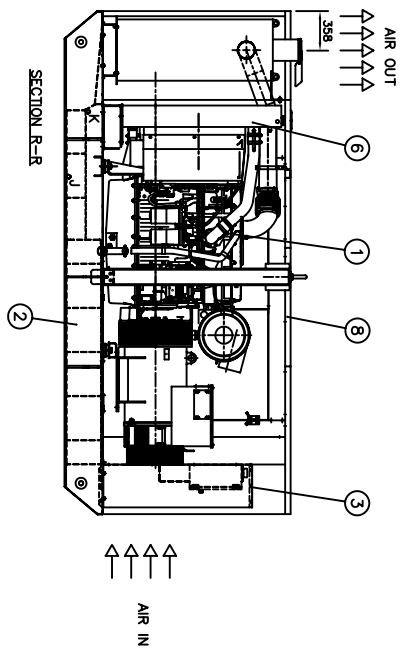


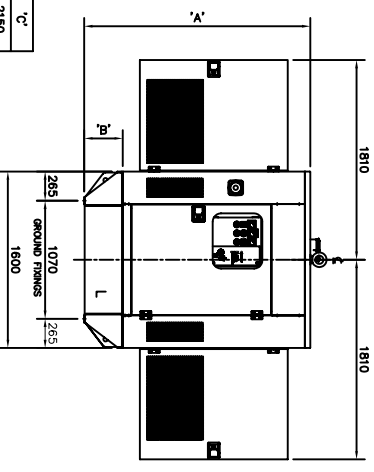
ITEM QTY.	DESCRIPTION	DM X	DM Y	DM Z	STD CAP	EXT CAP
A 1	FUEL FILL 2" BSP	2175	350	570	1090	
B 1	TANK VENT (1" BSP)	3596	350	570	1190	
C 1	FUEL FILL GAUGE 1 1/2" BSP HALF	2246	350	570	1190	
D 1	LEVEL SWITCH 1" BSP HALF	2996	350	570	1090	
E 1	REMOTE FUEL RETURN 1 1/2" BSP HALF	2996	350	570	460	
F 1	REMOTE FUEL SUPPLY 1" BSP	3596	350	570	460	
G 1	FUEL RETURN 1/2" BSP	2996	350	570	460	
H 1	FUEL LIFT 1/2" BSP	2146	350	570	460	
J 1	FUEL OIL DRAIN 1" BSP	1502	37	37	1300	
K 1	SPRINKLE DRAIN 1" BSP	912	213	433	1300	
L 1	CABLE EXIT	4560	0/310	0/530	350/1260	
M 1	STUB-UP AREA(900x385)	4120	350	570	310	

TANKBASE	TANKBASE CAPACITY (Litres)
STANDARD	817
EXTENDED	1511

STANDARD GENSET	WEIGHT (kg)	(WITH OIL)	(WITH OIL & WATER)
2306C-E14TA62 / LL6014B	4600	4650	
2306C-E14TA62 / LL6014D	4740	4790	
2306C-E14TA63 / LL6014D	4740	4790	
2306C-E14TA63 / LL6014F	4890	4940	
EXT CAP GENSET	WEIGHT (kg)	(WITH OIL)	(WITH OIL & WATER)
2306C-E14TA62 / LL6014B	4750	4800	
2306C-E14TA62 / LL6014D	4890	4940	
2306C-E14TA63 / LL6014D	4890	4940	
2306C-E14TA63 / LL6014F	5040	5090	



TANKBASE	A'	B'	C'
STANDARD	2050	350	2150
EXTENDED	2270	570	2370



ITEM QTY.	DESCRIPTION	DWG-PART NO.
1	ENGINE/ALT COMBINATION	MSS3984
2	BASEFRAME GROUP	MSS5148
3	PANEL STAND GROUP	MSS4935
4	FUEL LINES GROUP	MSS5602
5	OIL DRAIN GROUP	MSS4977
6	RADIATOR UPFIT GROUP	MSS3201
7	RAD DRAIN ASSY	MSS4944
8	CANOPY GROUP	MSS3005
9	COUPLING GROUP	MSS4739
10a	DECALS GROUP (FGW)	MSS5814
10b	DECALS GROUP (OLV)	MSS4739
11	WARNING LABELS GROUP	MSS4739
12	BATTERY TRAY ASSEMBLY	MSS5230

\* ITEMS NOT SHOWN

ISSUE	DESCRIPTION	BY	DATE
A	FIRST ISSUE	21/08	20/09/02
B	ENG/ALT COMBINATION CONNECTED	21/08	11/11/02
C	PAV SOCKET "C" MOVED REAR, SERVO PUMPS REMOVED	22/08	04/09/02
D	CI - 2306TNG ENGINE REMOVED	23/08	27/09/04

**TOLERANCES EXPERT**  
 WHERE OTHERWISE STATED  
 0 - 50mm ± 0.1mm  
 50 - 200mm ± 0.2mm  
 OVER 200mm ± 0.3mm  
 DIMENSIONS ± 0.25mm  
 ANGLES ± 0.5mm

**DO NOT SCALE**

**THIS DRAWING IS COPYRIGHTED AND MAY BE COPIED OR REPRODUCED IN ANY MANNER WITHOUT THE WRITTEN PERMISSION OF THE MANUFACTURER**

**ALL DIMENSIONS IN MILLIMETRES (UNLESS OTHERWISE STATED)**

ORIN. BY: WM GRAYHAM  
 DATE: 20/09/02  
 APP'D. BY: [Signature]  
 DATE: 13/02/2004

TITLE: PERKINS 2306T1A62 & T1A63 IN SA CANOPY  
 SHEET SIZE: A1  
 ORIGINAL SCALE: 1:25  
 DRAWING NO.: MGA6160  
 ISSUE: D