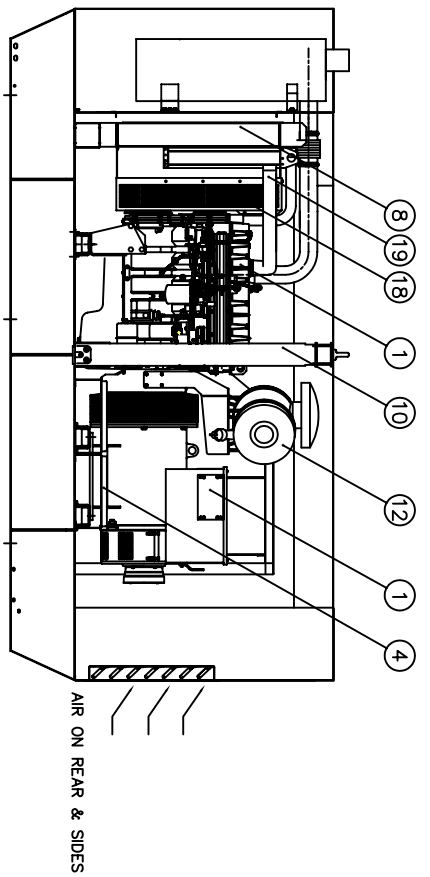


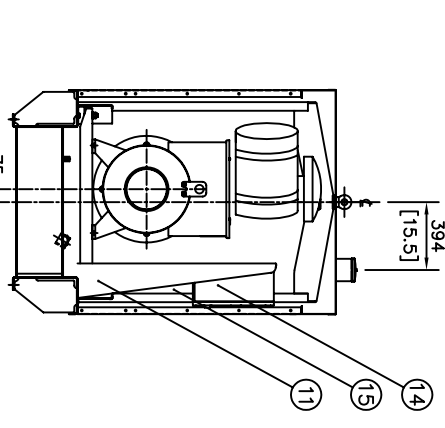
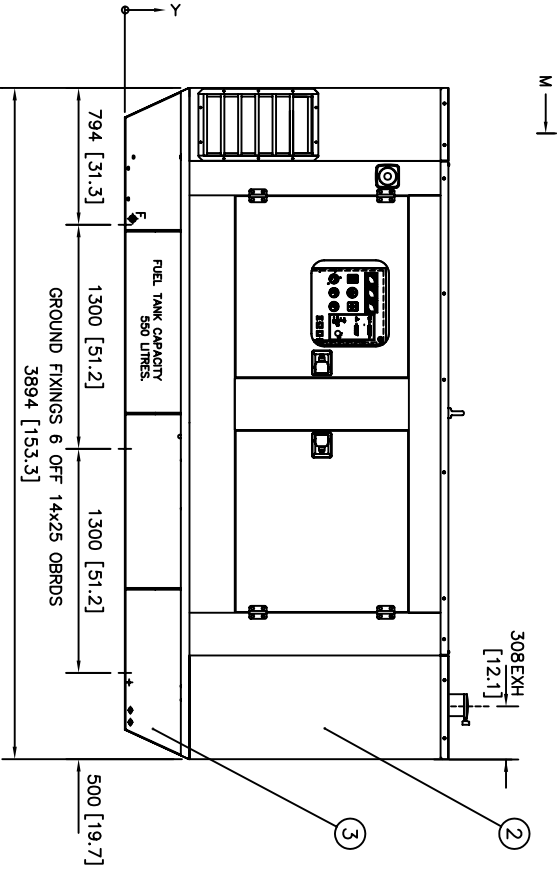
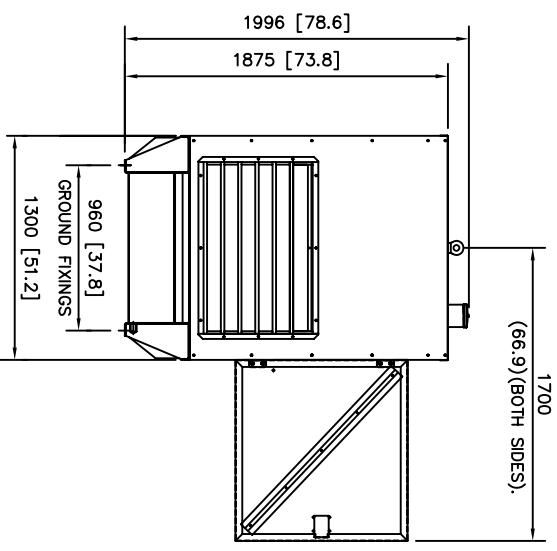
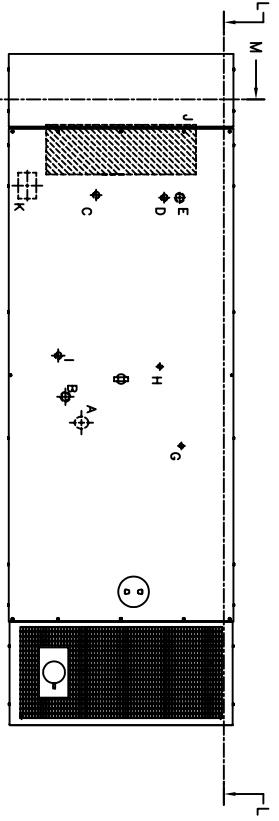
GENSET	WITH OIL	WITH OIL & WATER	DIM X	DIM Y
1306ET215/LL3014H	2760	2797	1817	1080
1306ET215/LL5014H	2920	2957	1784	1073
1306ET215/LL5014J	2985	3022	1739	1070
1306ET300/LL3014H	2835	2869	1828	1083
1306ET300/LL3014F	2910	2944	1795	1080
1306ET300/LL5014H	2995	3029	1776	1075
1306ET300/LL5014J	3060	3094	1752	1072
1306ET330/LL5014J	3110	3144	1780	1074
1306ET330/LL5014L	3230	3264	1717	1069

ITEM QTY.	DESCRIPTION	DIM X	DIM Y	DIM Z
A 1	SOCKET - FUEL FILL	2156	290	420
B 1	1 st B.S.P. HALF SOCKET - FUEL LEVEL GAUGE	1956	290	420
C 1	1 st B.S.P. HALF SOCKET - LEVEL SWITCH	836	290	505
D 1	1 st B.S.P. HALF SOCKET - REMOTE SUPPLY	901	290	900
E 1	1 st B.S.P. HALF SOCKET - REMOTE RETURN	901	290	900
F 1	1 st B.S.P. HALF SOCKET - TANK DRAIN	761	290	211
G 1	2 nd B.S.P. SOCKET - ENGINE SUPPLY	2241	290	400
H 1	2 nd B.S.P. SOCKET - ENGINE RETURN	1831	290	425
I 1	1 st B.S.P. HALF SOCKET - FUEL VENT	1767	290	915
J 1	1 st STUB-UP AREA - ONA (28x4870)	558	375	650
K 1	CABLE EXIT - FGW/OLY (150x105)	738	375	1023



ITEM QTY.	DESCRIPTION	DWG/PART No.
1	ENGINE / ALT COMBINATION	MSS3873
2	CANOPY & EXHAUST SYSTEM	MSS4712
3	BASEFRAME ARRANGEMENT	MSS2704
4	BATTERY GROUP	MSS2816
5	CHARGING ALTERNATOR	MSS2895
6	STARTER MOTOR	MSS3916
7	FUEL LINES/ BREATHER	MSS2890
8	RADIATOR ARRANGEMENT	MSS2819
9	COUPLING ARRANGEMENT	MSS2821
10	LIFTING ARRANGEMENT	MSS2487
11	PANEL STAND ARRANGEMENT	MSS2773
12	AIR CLEANER ARRANGEMENT	MSS2884
13	SENDERS & SENSORS SYSTEM	MSS2953
14	CONTROL PANEL(FITTED)	-
15	CIRCUIT BREAKER(FITTED)	-
16	LABEL ARRANGEMENT - UNIVERSAL	MSS3124
* BRAND LABEL ARRANGEMENT		
17a	1 FGW BRAND	MSS3123
17b	1 OLYMPIAN BRAND	MSS3122
17c	1 ONA BRAND	MSS3122
* 1306ET215 ENGINE		
18a	1 FAN & PULLEY GUARD ARRANGEMENT	MSS2836
* 1306ET300/330 ENGINE		
18b	1 FAN & PULLEY GUARD ARRANGEMENT	MSS2837
18c	1 CHARGE AIR PIPEWORK ARRANGEMENT	MSS2820

* - ITEM NOT SHOWN.



ISSUE	DESCRIPTION	1	2	3	4	5	6	7	8	9
D	UNPATED PROBABLY TO SHOW NEW CANOPY DOOR AMOUNT		2202	P 3	15/10/02					
C	NEW RAD/ENG MOUNTING DETAIL & TITLE UPDATED		20810C	3 AM	07/08/02					
B	PARTS LIST UPDATED TO SHOW ENGINE/ALT COMBINATION ENG/ ALTERNATOR UPDATED		20314	P 3	14/02/02					
A	FIRST ISSUE		20719	AD	13/10/01					

TOLERANCES EXCEPT WHERE OTHERWISE STATED

MM 0 - 50mm ± 0.1mm
 50 - 100mm ± 0.15mm
 OVER 100mm ± 0.2mm
 ANGLES ± 0.5mm

THIS DRAWING IS COMPUTER GENERATED AND MAY BE CONSIDERED UNRELIABLE FOR DIMENSIONS. CHECK DIMENSIONS BY THE INSTRUMENT PROVIDED BY THE PURCHASER.

DO NOT SCALE

DRN. BY ADANIEL
DATE 13/10/01
APPD. BY [Signature]
DATE 18.10.2002

TITLE G.A. OF D SERIES S.A CANOPY GENSET WITH 1300 SERIES ENG & LL3000/5000 SERIES ALT

SHEET SIZE A1
ORIGINAL SCALE 1:16
DRAWING NO. MCA5864
ISSUE D