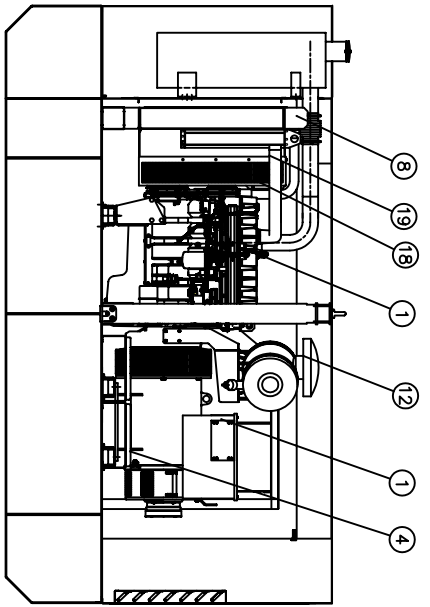
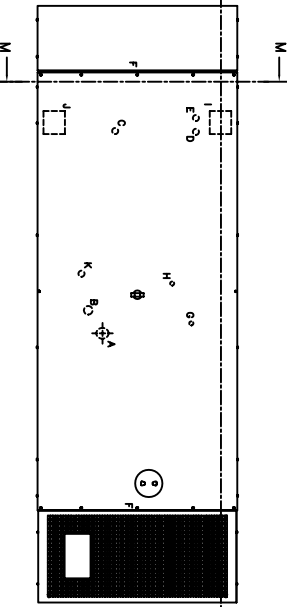


GENSET	WEIGHT (kg)		Code	
	WITH OIL	WITH OIL & WATER	DM X	DM Y
130E1215/L13014H	3160	3194	1870	1458
130E1A300/L13014H	3305	3340	1890	1457
130E1A300/L15014F	3160	3194	1852	1458
130E1A300/L15014H	3305	3340	1835	1452
130E1A330/L15014L	3305	3340	1836	1454

ITEM QTY.	DESCRIPTION	DM X	DM Y	DM Z
A 1	SOCKET - FUEL FILL	2145	545	420
B 1	FUEL LEVEL GAUGE	1997	545	327
C 1	1" BSP SOCKET LEVEL SWITCH	825	545	456
D 1	1" BSP SKT. REMOTE SUPPLY	830	545	1030
E 1	1" BSP SOCKET REMOTE DRAIN	740	545	1030
F 2	1" BSP SOCKET DRAIN	489	48	850
G 1	1/2" BSP SOCKET ENG. SUPPLY	2080	545	1000
H 1	1/2" BSP SOCKET ENG. RETURN	1820	545	875
I 1	CABLE EXIT 150X140 RECT.	794	630	1192.5
J 1	CABLE EXIT 150X140 RECT.	794	630	107.5
K 1	1" BSP SKT. FUEL VENT	1756	545	281



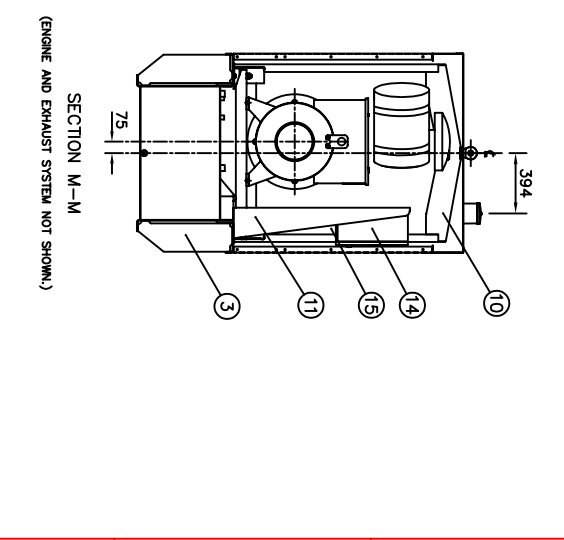
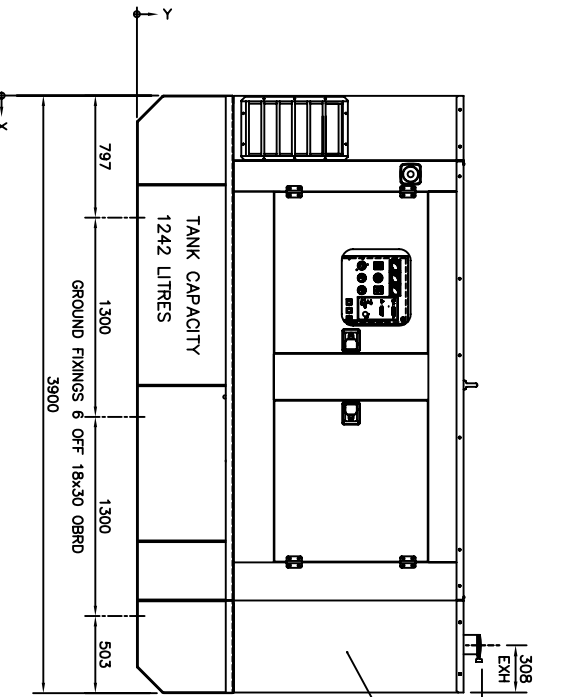
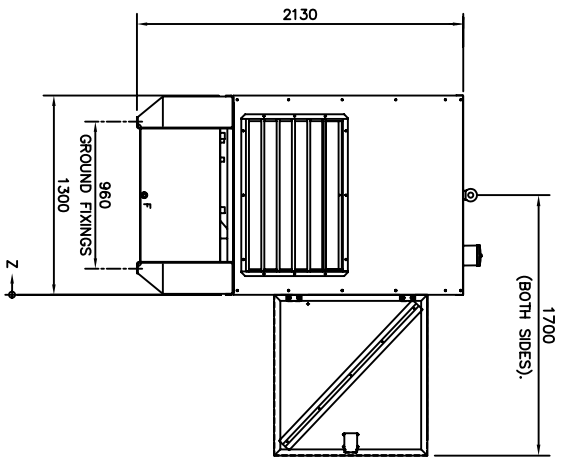
SECTION L-L



AIR ON REAR & SIDES

ITEM QTY.	DESCRIPTION	DMG/PART No.
1	ENGINE/ALT COMBINATION	MSS3873
1	CANOPY & EXHAUST SYSTEM	MSS4712
3	BASEFRAME ARRANGEMENT	MSS2704
4	BATTERY GROUP	MSS2816
5	CHARGING ALTERNATOR	MSS2895
6	STARTER MOTOR	MSS3916
7	FUEL LINES/BREATHER	MSS2890
8	RADIATOR ARRANGEMENT	MSS2819
9	COUPLING ARRANGEMENT	MSS2871
10	LIFTING ARRANGEMENT	MSS2487
11	PANEL STAND ARRANGEMENT	MSS2773
12	AIR CLEANER ARRANGEMENT	MSS2884
13	SENDERS & SENSORS SYSTEM	MSS2953
14	CONTROL PANEL (IF FITTED)	-
15	CIRCUIT BREAKER (IF FITTED)	-
16	LABEL ARRANGEMENT - UNIVERSAL	MSS3124
BRAND LABEL ARRANGEMENT		
17a	1 FGM BRAND	MSS3123
17b	1 OLYMPIAN BRAND	MSS3122
130E1215 ENGINE		
18a	1 FAN & PULLEY GUARD ARRANGEMENT	MSS2838
130E1A300/230 ENGINE		
18b	1 FAN & PULLEY GUARD ARRANGEMENT	MSS2837
19b	1 CHARGE AIR PIPEWORK ARRANGEMENT	MSS2820

* - ITEM NOT SHOWN.



SECTION M-M
(ENGINE AND EXHAUST SYSTEM NOT SHOWN)

ISSUE	DESCRIPTION	BY	DATE
A	FIRST ISSUE	AD	13/10/01
B	PARTS LIST UPDATED TO SHOW ENGINE/ALT COMBINATION ENG/ AIRSIGHTS UPDATED	AD	14/02/02
C	NEW RADIATOR MOUNTING & TITLE REWORKED	DM	15/09/02
D	UPDATED PROBABLY TO SHOW NEW CANOPY DOOR AMOUNT	DM	15/10/02

TOLERANCES EXPERT
 WHERE OTHERWISE STATED
 0 - 50mm ± 0.1mm
 50 - 100mm ± 0.15mm
 OVER 100mm ± 0.2mm
 DIMENSIONS IN PARENTHESES ARE DIMENSIONS IN MILLIMETRES UNLESS OTHERWISE STATED

DO NOT SCALE

DRN. BY ADANIEL
DATE 13/10/01
APPD. BY [Signature]
DATE 18.10.2002

TITLE
 G.A. OF SA EXTENDED CAPACITY GENSET
 WITH 1300 SERIES ENG. & L1300/5000 SERIES ALT

SHEET A1
ORIGINAL 1:18
DRAWING NO. MCA5865
ISSUE D