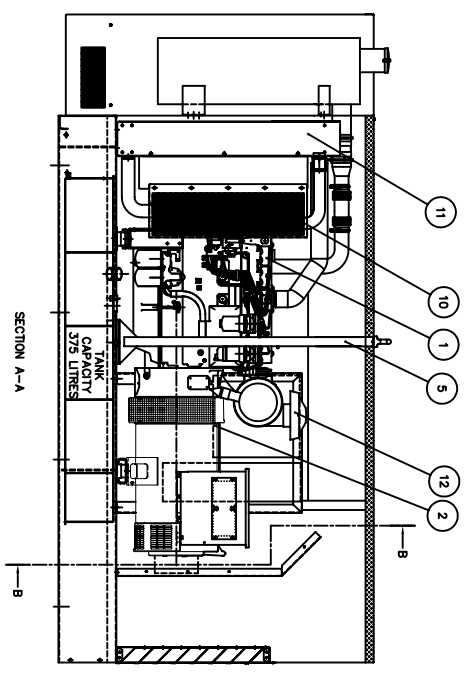
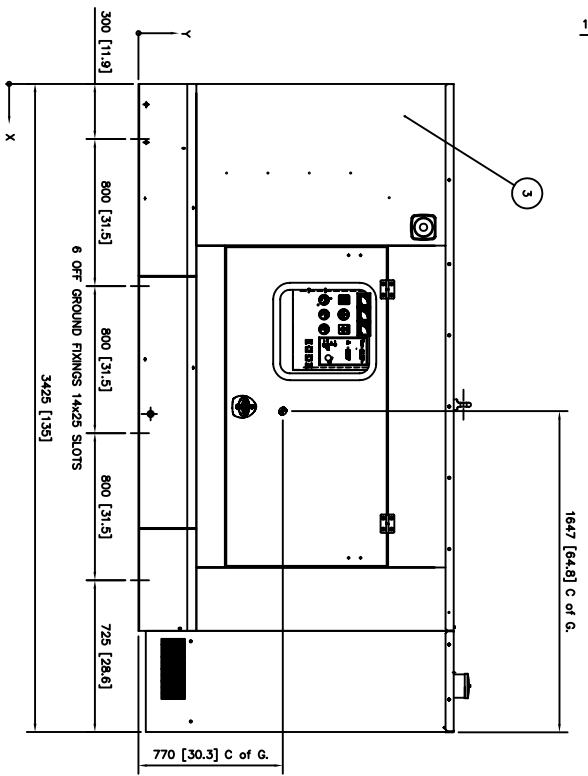
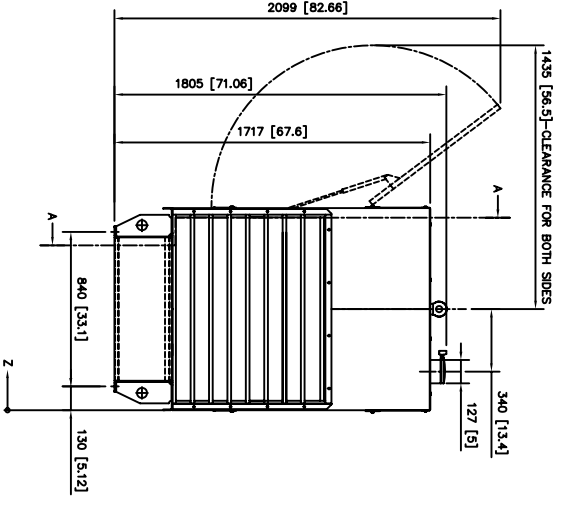
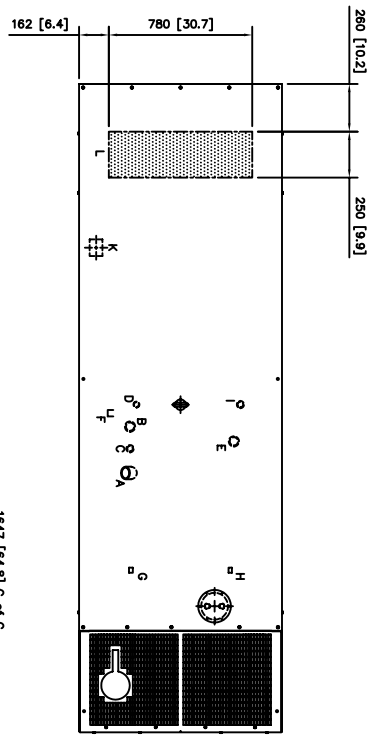
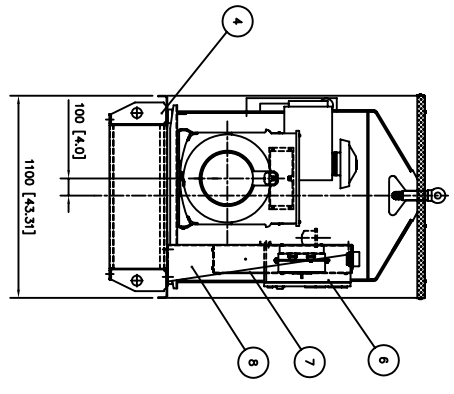


| ENGINE/ALTERNATOR | (WITH OIL) | (WITH OIL & WATER) |
|-------------------|------------|--------------------|
| 10081A2Z/AL3014H | 1865 | 1975 |
| 10081A2Z/AL3024H | 1865 | 1975 |

| ITEM QTY. | DESCRIPTION | Dim. X | Dim. Y | Dim. Z |
|-----------|-----------------------------|--------|--------|--------|
| A 1 | 2" BSP SOCKET - FUEL FILL | 2115 | 285 | 285 |
| B 1 | 1 1/2" BSP FUEL LEVEL GAUGE | 1864 | 285 | 277 |
| C 1 | 1" BSP LEVEL SWITCH | 1984 | 285 | 277 |
| D 1 | 1" BSP REMOTE SUPPLY | 1744 | 285 | 312 |
| E 1 | 1 1/2" BSP REMOTE RETURN | 1944 | 285 | 842 |
| F 2 | 3/4" BSP TANK DRAIN | 1790 | 50 | 280 |
| G 1 | 3/8" BSP SOCC ENG. SUPPLY | 2660 | 40 | 280 |
| H 1 | 1/2" BSP SOCKET ENG. RETURN | 2660 | 40 | 820 |
| I 1 | 1" BSP FUEL VENT | 1744 | 285 | 877 |
| K 1 | CABLE EXIT (150X140 REC) | 890 | 300 | 90 |
| L 1 | STUB-UP AREA (250 x 870) | 280 | 0 | 182 |

| ITEM QTY. | DESCRIPTION | Dim. X | Dim. Y | Dim. Z |
|-----------|-------------------------------|--------|--------|--------|
| 1 | ENGINE | | | |
| 2 | ALTERNATOR - LEROY LL3014H | | | |
| 3 | CANOPY - SOUND ATTENUATING | | | |
| 4 | TANKBASE | | | |
| 5 | SINGLE POINT LIFT ARRANGEMENT | | | |
| 6 | CONTROL PANEL (IF FITTED) | | | |
| 7 | CIRCUIT BREAKER (IF FITTED) | | | |
| 8 | PANEL STAND ASSY. (IF FITTED) | | | |
| 9 | BATTERY RACK | | | |
| 10 | SPLIT FAN GUARD ASSY | | | |
| 11 | RADIATOR ASSY | | | |
| 12 | AIR FILTER | | | |
| 13 | LUBE OIL DRAIN | | | |
| 14 | COOLANT DRAIN | | | |
| 15 | SENDERS AND SENSORS | | | |
| 16 | FUEL LINES | | | |
| 17 | COUPLING GROUP | | | |
| 18 | DECAL GROUP (HAZARD LABELS) | | | |
| 19 | DECALS GROUP (BAW BRAND) | | | |
| 20 | EM GROUP | | | |



DIMENSIONS IN MM & [INCHES]

| ISSUE | DESCRIPTION | BY | DATE |
|-------|---|-------|----------|
| A | FIRST ISSUE | 22/07 | 22/07/03 |
| B | COOLANT DRAIN ASSEMBLY CHANGED | 22/07 | 22/07/03 |
| C | ADDITION OF ENG./ALT COMBINATION FOR 10081A2Z/AL3024H | 22/07 | 22/07/03 |
| D | EXTENDING THE HEIGHT OF GROUND FININGS TO 1805 | 22/07 | 22/07/03 |

TOLERANCES EXCEPT WHERE OTHERWISE STATED:
 0 - 50mm ± 0.5mm
 50 - 100mm ± 0.3mm
 OVER 100mm ± 0.2mm
 ANGLES ± 0.5mm
 HOLE DIA ± 0.05mm

ALL DIMENSIONS IN MILLIMETRES (UNLESS OTHERWISE STATED)

DRN. BY: Y.C.TAN
 DATE: 23/08/03
 APPD. BY: [Signature]
 DATE: 05/10/2004

TITLE: 10081A2Z & LL3014H ALT
 C SERIES S.K. CANOPY WITH NON-UL LISTED TANK

SCALE: ORIGINAL
 DRAWING NO: MCA6448