

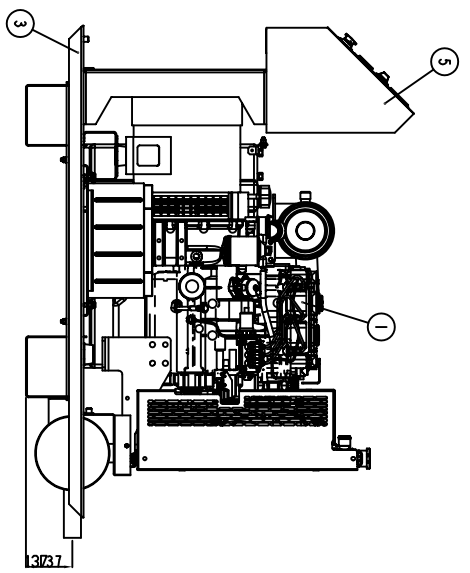
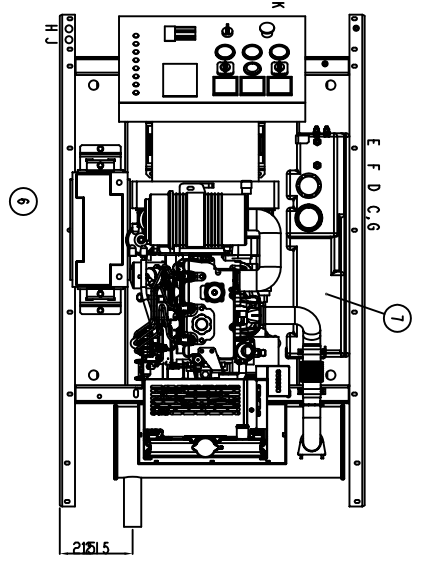
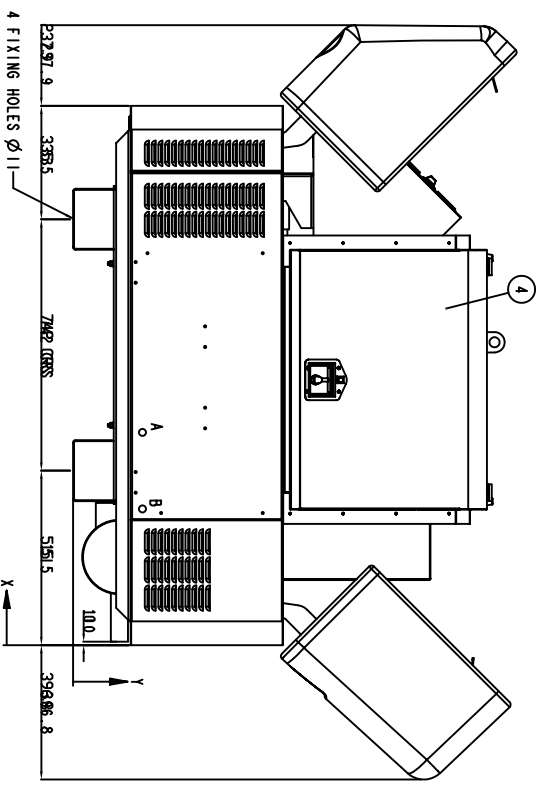
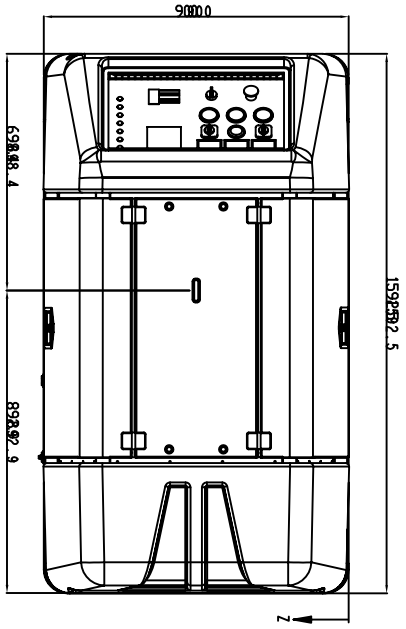
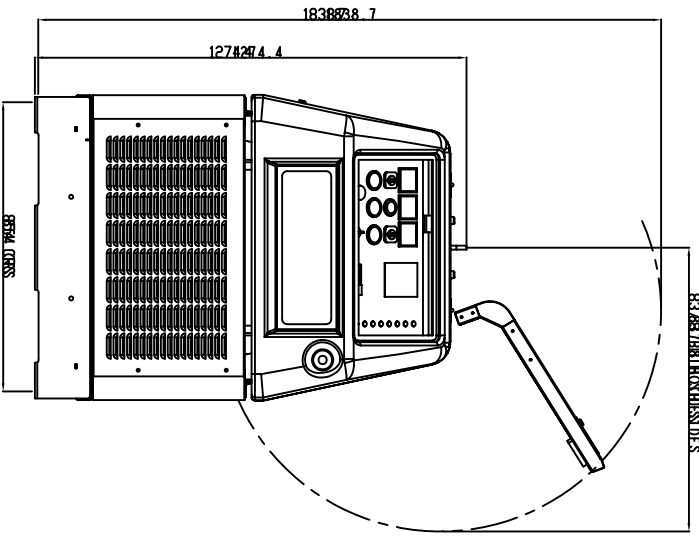
ITEM	DESCRIPTION	DIM X	DIM Y	DIM Z
A	LUBE OIL DRAIN	628	210	900
B	RADIATOR DRAIN	402	210	900
C	FUEL FILL	922	740	165
D	FUEL GAUGE	1017	720	165
E	FUEL SUPPLY	1147	683	140
F	FUEL RETURN	1077	683	140
G	LOW FUEL LEVEL SWITCH	922	740	165
H	EXTERNAL FUEL TANK CONNECTION - SUPPLY I/48SP	1480	167	873
J	EXTERNAL FUEL TANK CONNECTION - RETURN I/48SP	1448	167	873
K	CABLE EXIT	1475	710	301

FOR INFORMATION ONLY

ENG / ALT	MASS (kg)	C OF G
403C-15 / L*1014H	WITH OIL & WATER 580	DIM X 838
	FUEL TANK CAPACITY - 45 LITRES	DIM Y 475

ITEM QTY	DESCRIPTION	DWG / PART NO.
1	ENGINE/ALT COMBINATION GROUP	M6SS289
2	COUPLING GROUP	M6SS164
3	BASEFRAME ASSEMBLY	M6SS041
4	CANOPY ASSEMBLY	M6SS039
5	PANEL ASSEMBLY	M6SS082
6	BATTERY GROUP	M6SS084
7	FUEL TANK GROUP	M6SS205
8	GROUP DWG OF RADIATOR DRAIN	M6SS118
9	LUBE OIL DRAIN GROUP	M6SS489
10	FUEL LINES GROUP	M6SS470
11	DECAL ARRANGEMENT - UNIVERSAL	M6SS471
12	DECAL ARRANGEMENT - FG WILSON BRAND	M6SS473
13	DECAL ARRANGEMENT - OLWYPIAN BRAND	M6SS475

* - ITEM NOT SHOWN



ISSUE DESCRIPTION	21071	BY	DATE
A. FIRST ISSUE	-	-	-

TOLERANCES EXCEPT WHERE OTHERWISE STATED		THIS DRAWING IS COMPUTERIZED AND MAY BE CONSIDERED AS THE FINAL AUTHORITY FOR DIMENSIONS IN MILLIMETERS UNLESS OTHERWISE STATED	
0.10 - 0.250mm ± 0.05mm	0.250 - 1.500mm ± 0.10mm	3rd ANGLE	PROJECTION
OVER 1.500mm ± 0.15mm	STRUCTURAL ± 1.0mm	DATE	DATE

DRN. BY	TITLE	DATE	APPD. BY	SHEET NO.	ORIGINAL SCALE	DRAWING NO./ISSUE
G. KELLY	PERKINS 403C-15 & LS 1000 SERIES IN G SERIES SA CANOPY	05-Mar-03		A1	1:8	MG46290 A