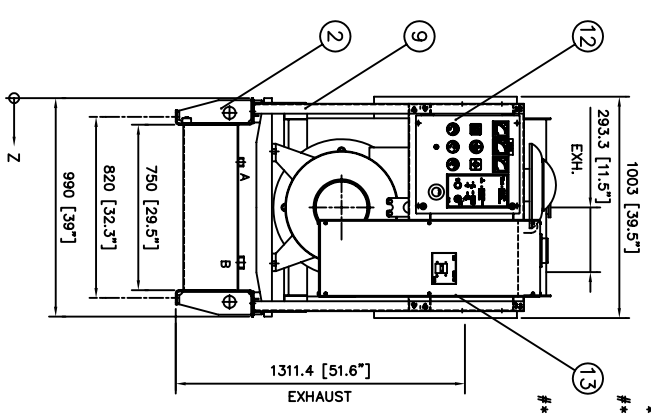
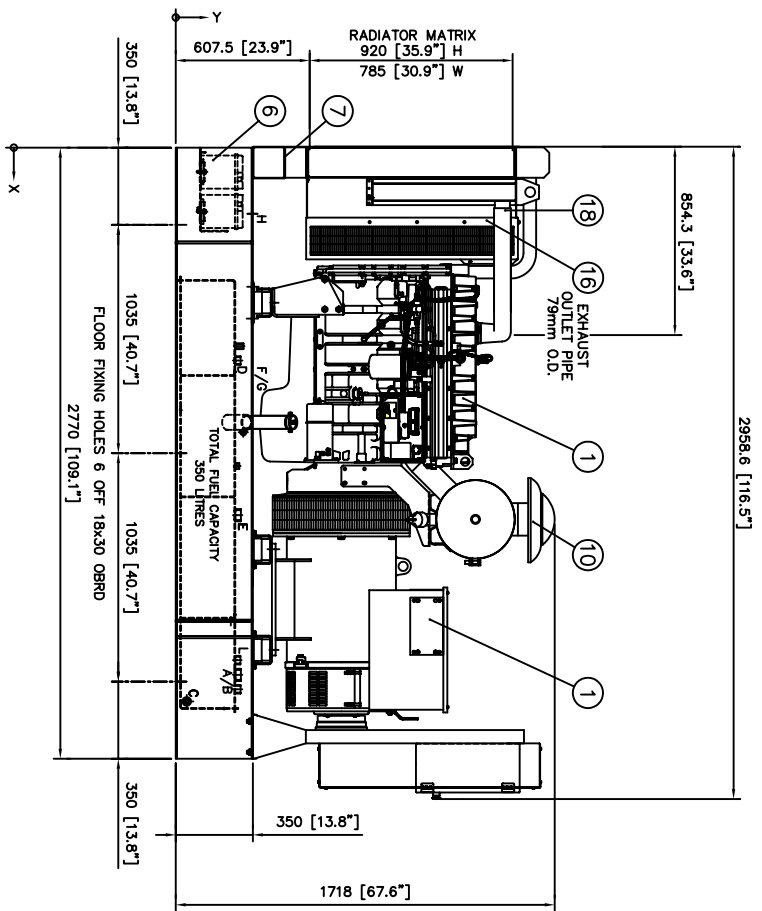


ITEM	DESCRIPTION	DIM' X	DIM' Y	DIM' Z
A	REMOTE FILL 1" BSP SOCKET	2445	270	290
B	REMOTE RETURN 1" BSP SOCKET	2390	270	745
C	FUEL DRAIN 1" BSP SOCKET	2510	50	114
D	LEVEL SWITCH 1" BSP SOCKET	965	270	735
E	FUEL GAUGE	1681	270	262
F	ENGINE BREATHER	1090	350	48
G	LUB OIL DRAIN 1/2" BSP	1090	306	943
H	RADIATOR DRAIN 1/4" BSP	300	350	33

GENSET	WEIGHT (Kg)	CENTRE OF GRAVITY
WITH OIL (WITH OIL & WATER)		
1306E7215/LL5014H	1865	1544
1306E7215/LL5014H	2025	1602
1306E7215/LL5014J	2090	1629
1306E871A300/LL5014F	1940	1524
1306E871A300/LL5014F	2015	1565
1306E871A300/LL5014J	2165	1608
1306E871A300/LL5014H	2100	1582
1306E871A330/LL5014J	2215	1603
1306E871A330/LL5014L	2335	1653



ITEM QTY.	DESCRIPTION	DWG /PART No.
1 1	ENGINE/ALTERNATOR COMBINATION	MSS3873
2 1	BASEFRAME GROUP	MSS2878
3 1	CHARGING ALTERNATOR GROUP	MSS2895
4 1	STARTER MOTOR GROUP	MSS3916
5 1	FUEL LINES/BREATHER GROUP	MSS2890
6 1	BATTERY GROUP	MSS2807
7 1	RADIATOR GROUP	MSS2819
8 1	COUPLING GROUP	MSS2858
9 1	PANEL STAND GROUP	MSS2884
10 1	AIR CLEANER GROUP	MSS2953
11 1	SENDERS & SENSORS GROUP	MSS2953
12 1	CONTROL PANEL(IF FITTED)	-
13 1	CIRCUIT BREAKER(IF FITTED)	-
14 1	LABEL GROUP - UNIVERSAL	MSS3055
BRAND LABEL GROUPS		
* 15a 1	FGW BRAND	MSS3062
* 15b 1	OLY BRAND	MSS3063
* 15c 1	ONA BRAND	MSS3064
1306E7215 ENGINE		
* 16a 1	FAN & PULLEY GUARDS GROUP	MSS2838
* 17a 1	EC HEAT SHIELD GUARDS	MSS2847
1306E7A300/330 ENGINE		
18b 1	FAN & PULLEY GUARDS GROUP	MSS2837
17b 1	EC HEAT SHIELD GUARDS	MSS2846
18b 1	CHARGE AIR PIPEWORK GROUP	MSS2820

* - ITEM NOT SHOWN.
- FGW & OLY PRODUCT ONLY

ISSUE	DESCRIPTION	REV/NO	BY	DATE
B	NEW RAD/ENG MOUNTING DETAIL & TITLE UPDATED.	20810C	LAM	25/07/02
A	FIRST ISSUE	-	-	-

<p>TOLERANCES EXCEPT WHERE OTHERWISE STATED</p> <p>0 - 50mm ± 0.15mm 50 - 100mm ± 0.25mm OVER 100mm ± 0.50mm DIMENSIONS TO SURFACE UNLESS OTHERWISE STATED</p> <p>DO NOT SCALE</p>	<p>ORL BY: Y.C.TAN</p> <p>DATE: 30/09/99</p> <p>APPD BY: [Signature]</p> <p>DATE: 04.09.2002</p>	<p>TITLE: G.A. OF COMPACT OPEN GENSET ON NON UL BASE WITH 1300 SERIES ENG & LL5000/5000 SERIES ALT.</p> <p>SHEET SIZE: A1</p> <p>ORIGINAL SCALE: 1:12.5</p> <p>DRAWING NO: MGA44598</p> <p>ISSUE: B</p>
--	--	---