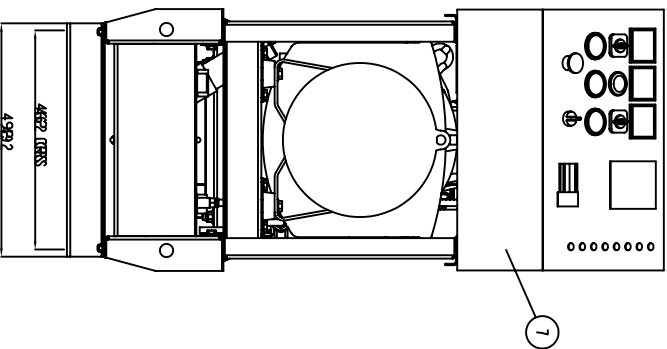
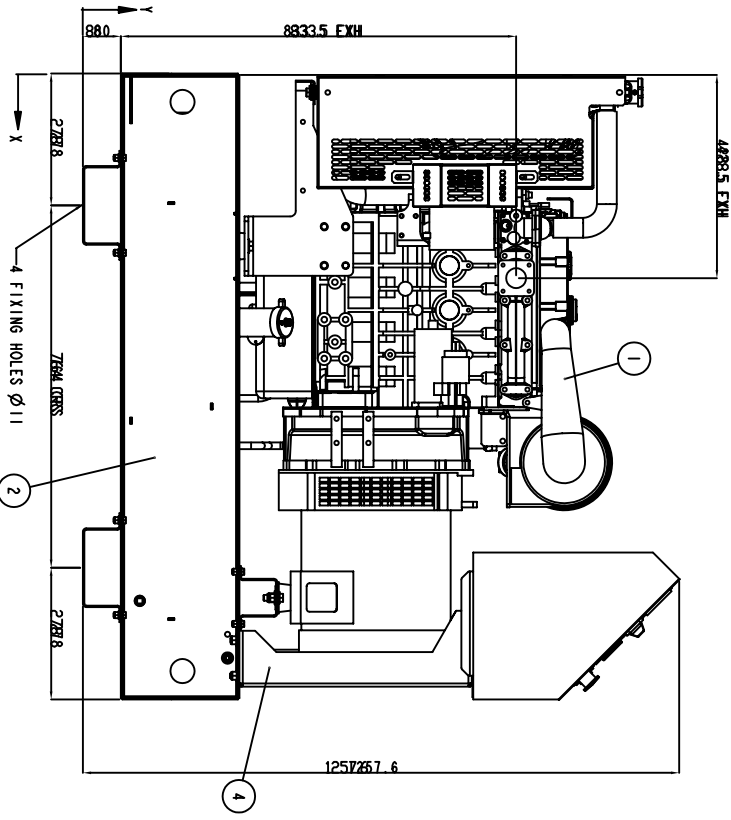
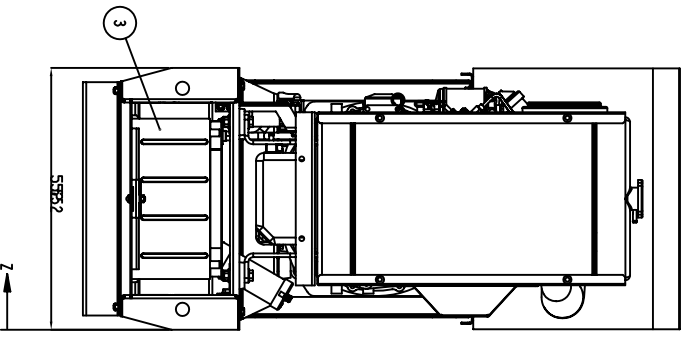
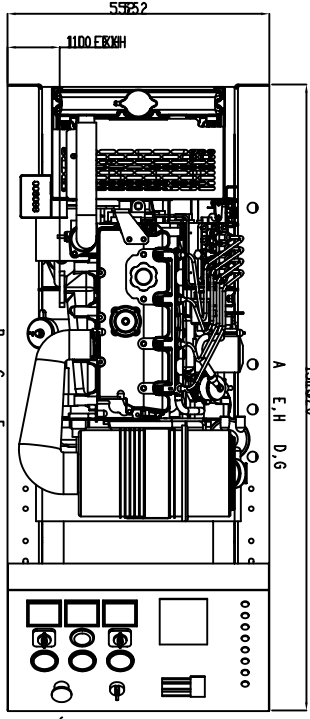


ENG / ALT	MASS (kg)	C OF G			
	WITH OIL	WITH OIL & WATER	DIM X	DIM Y	DIM Z
404C-2261 / L191014L	456	463	671	618	618
404C-2262 / L191014L	456	463	671	618	618
404C-2262 / L191014N	469	478	686	618	618
404C-2262 / L191012N	461	468	667	618	618
404C-2262 / L191012P	461	468	689	618	618

FUEL TANK CAPACITY - 45 LITRES

ITEM	DESCRIPTION	DIM X	DIM Y	DIM Z
A	LUBE OIL DRAIN (IF FITTED)	390	330	517
B	FUEL FILL	325	420	70
C	FUEL GAUGE	640	322	156
D	FUEL SUPPLY	785	301	410
E	FUEL RETURN	685	301	410
F	LOW FUEL LEVEL SWITCH (IF FITTED)	760	295	156
G	EXTERNAL FUEL TANK CONNECTION - SUPPLY L/ABSP (IF FITTED)	785	380	517
H	EXTERNAL FUEL TANK CONNECTION - RETURN L/ABSP (IF FITTED)	685	380	517
J	CABLE EXIT	1280	820	130

FOR INFORMATION ONLY



ITEM QTY	DESCRIPTION	DWG / PART NO.
1	ENGLALT COMBINATION GROUP	MGSS289
2	BASEFRAME ASSEMBLY	MGSS111
3	BATTERY GROUP	MGSS122
4	PANEL STAND GROUP	MGSS120
5	FUEL LINE ARRANGEMENT	MGSS390
6	COUPLING GROUP	MGSS164
7	CONTROL PANEL (IF FITTED)	-
8	LVI - LUBE OIL DRAIN ASSY (IF FITTED)	MGSS296
9	CEC - GUARDS (IF FITTED)	MGSS441
10	DECAL ARRANGEMENT - UNIVERSAL LABELS	MGSS472
11a	DECAL ARRANGEMENT - BAW LABELS	MGSS474
11b	DECAL ARRANGEMENT - OLY LABELS	MGSS476

* - ITEM NOT SHOWN

TOLERANCES EXCEPT WHERE OTHERWISE STATED:
 50 - 250mm ± 0.1mm
 OVER 250mm ± 0.2mm
 STRUCTURAL ± 1mm
 HOLE POSITION ± 0.1mm
 HOLE DIA ± 0.05mm
 HOLE DRILL ± 0.05mm
 HOLE TAPER ± 0.05mm
 HOLE CHAMFER ± 0.05mm
 HOLE DEPTH ± 0.05mm
 HOLE END FACE ± 0.05mm
 HOLE EDGE ± 0.05mm
 HOLE SURFACE ± 0.05mm
 HOLE POSITION ± 0.1mm
 HOLE DIA ± 0.05mm
 HOLE DRILL ± 0.05mm
 HOLE TAPER ± 0.05mm
 HOLE CHAMFER ± 0.05mm
 HOLE DEPTH ± 0.05mm
 HOLE END FACE ± 0.05mm
 HOLE EDGE ± 0.05mm
 HOLE SURFACE ± 0.05mm

THIS DRAWING IS COMPUTERIZED AND MAY BE COPIED OR REPRODUCED IN ANY FORM OR BY ANY MEANS WITHOUT PERMISSION IN WRITING FROM THE DRAWING OFFICE. ALL DIMENSIONS IN MILLIMETRES UNLESS OTHERWISE STATED. DO NOT SCALE.

DRN. BY: G. KELLY
 DATE: 23-Jan-03
 TITLE: PERKINS 404C-22 & LS 1000 SERIES COMPACT GENSET
 SHEET: ORIGINAL
 SCALE: 7:40
 DRAWING NO./ISSUE: MG66060 B