

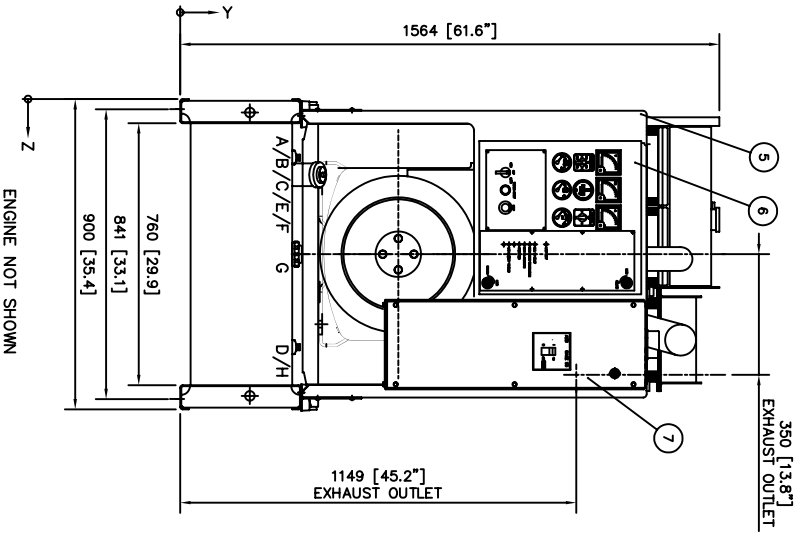
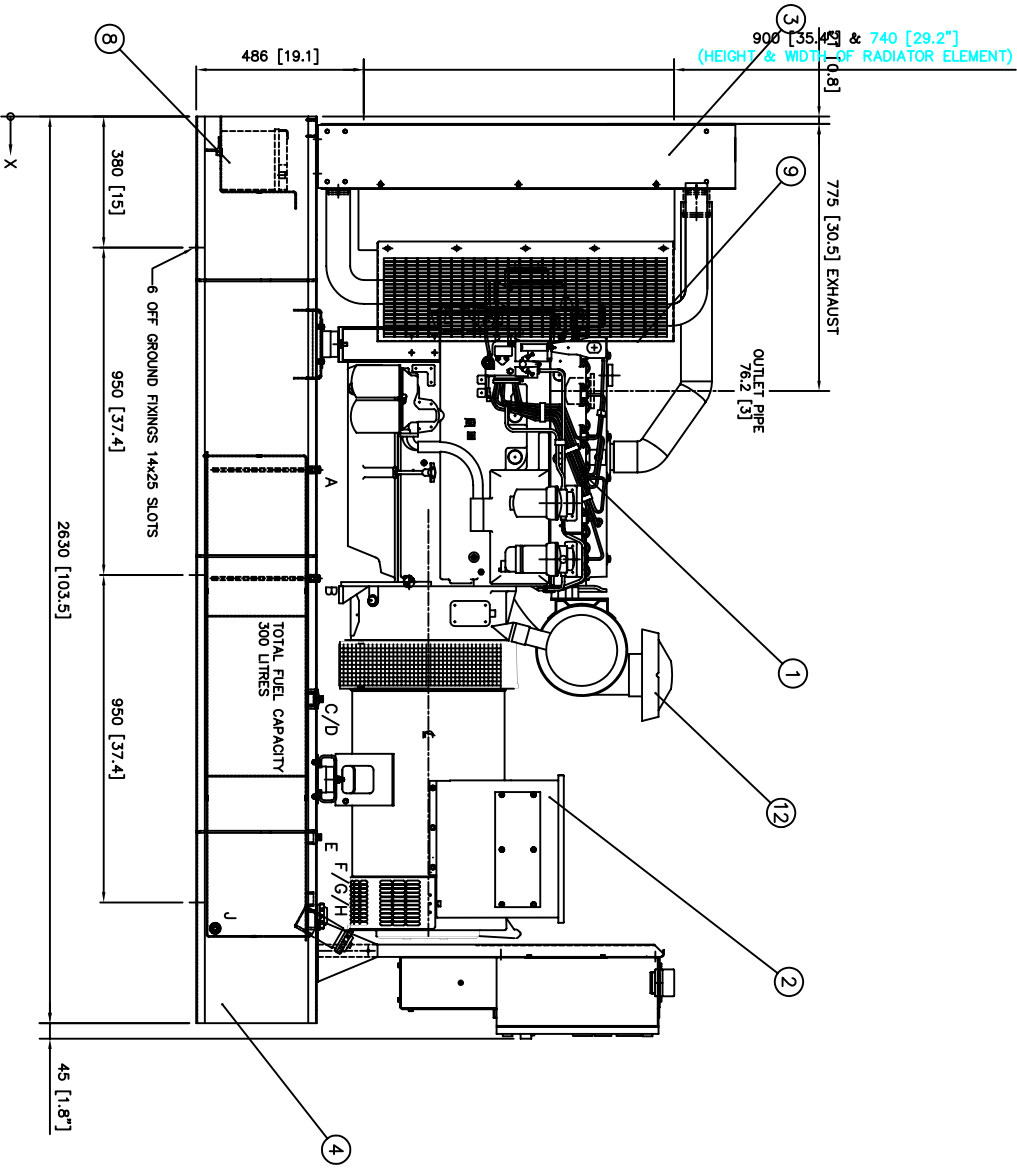
ITEM	DESCRIPTION	DIM X	DIM Y	DIM Z
A	FUEL SUPPLY 3/8" BSP SOCKET	1025 [40.4]	320 [12.6]	171 [6.7]
B	FUEL RETURN 3/8" BSP SOCKET	1340 [52.8]	320 [12.6]	171 [6.7]
C	REMOTE FUEL RETURN 1/2" BSP SOCKET	1695 [66.7]	320 [12.6]	171 [6.7]
D	REMOTE FUEL SUPPLY 1" BSP SOCKET	1695 [66.7]	320 [12.6]	730 [28.7]
E	FUEL VENT 1" BSP SOCKET	2090 [82.3]	320 [12.6]	171 [6.7]
F	FLOAT SWITCH (IF FITTED) 1" BSP SOCKET	2270 [89.4]	320 [12.6]	730 [28.7]
G	MANUAL FILL 2" BSP SOCKET	2330 [92.8]	320 [12.6]	219 [8.6]
H	FUEL LEVEL GAUGE 1/2" BSP SOCKET	2330 [92.8]	320 [12.6]	451 [17.8]
J	FUEL DRAIN 3/4" BSP SOCKET	2355 [92.7]	55 [2.2]	67 [2.6]

ENGINE/ALTERNATOR	WEIGHT (kg)	C of G
(MTH. QUL) (OIL & WATER)		DIM X DIM Y
10087AG2/AL3014H	1515	1390(54.3") 618(24.3")
10087AG2/AL3024H	1535	1390(54.3") 618(24.3")

NOTE: DIMENSIONS STATED IN BOTH MILLIMETERS AND [INCHES]

ITEM QTY.	DESCRIPTION	DWG./PART No.
1	ENGINE	MSS3873
2	ALTERNATOR	MSS3873
3	RADIATOR ASSY	MSS5645
4	TANKBASE - COMPACT	MSS5303
5	PANEL STAND ASSY. (IF FITTED)	MSS2449
6	CONTROL PANEL (IF FITTED)	-
7	CIRCUIT BREAKER (IF FITTED)	-
8	BATTERY TRAY ASSY	MSS2485
9	SPILT FAN GUARD ASSY	MSS5734
10	HEAT SHIELD GUARD	MSS2806
11	EXHAUST MANIFOLD GUARD (IF FITTED)	MSS2771
12	AIR FILTER	MSS2772
13	LVI - LUBE OIL DRAIN ASSY.	MSS2797
14	WTI - COOLANT DRAIN ASSY.	MSS2023
15	DECAL ARR. - (Universal Label)	MSS3065
16	DECAL ARR. - (B & W Label)	MSS3062
17a	DECAL ARR. - (Oily Label)	MSS3063

* - NOT SHOWN



ENGINE NOT SHOWN

ISSUE	DESCRIPTION	REV/ISS	BY	DATE
C	ADDITION OF ENG/ALT COMBINATION FOR 10087AG2/AL3024H	23/07	M.P.R.	24/09/04
B	COOLANT DRAIN ASSEMBLY CHANGED	23/07	M.P.R.	27/09/04
A	FIRST ISSUE	23/07	VC1/TAN	16/09/03

TOLERANCES EXCEPT WHERE OTHERWISE STATED:
 0 - 50mm ± 0.1mm
 50 - 100mm ± 0.15mm
 OVER 100mm ± 0.2mm
 DIMENSIONS IN MILLIMETERS UNLESS OTHERWISE STATED

THIS DRAWING IS CONTROLLED AND MAY BE CONTROLLED BY THE PURCHASER.
 ALL DIMENSIONS IN MILLIMETERS UNLESS OTHERWISE STATED

DRN. BY	Y.C. TAN	TITLE
DATE	16/09/03	10087AG2 WITH AL3014H ALT OPEN CONSOLE WITH NON-UL LISTED TANK
APPRD. BY	<i>[Signature]</i>	SHEET NO. ORIGINAL SCALE DRAWING NO. ISSUE
DATE	24/09/2004	A1 1:8 MGA6432 C