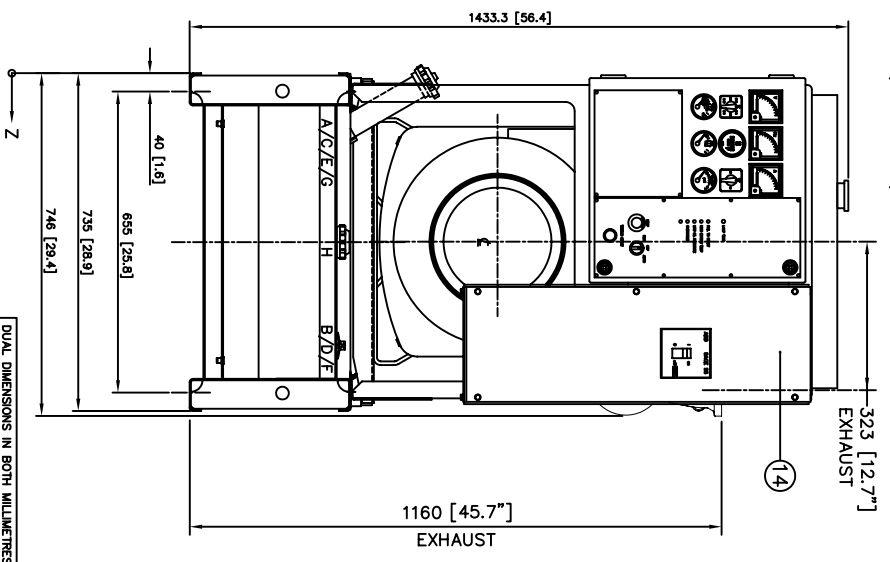
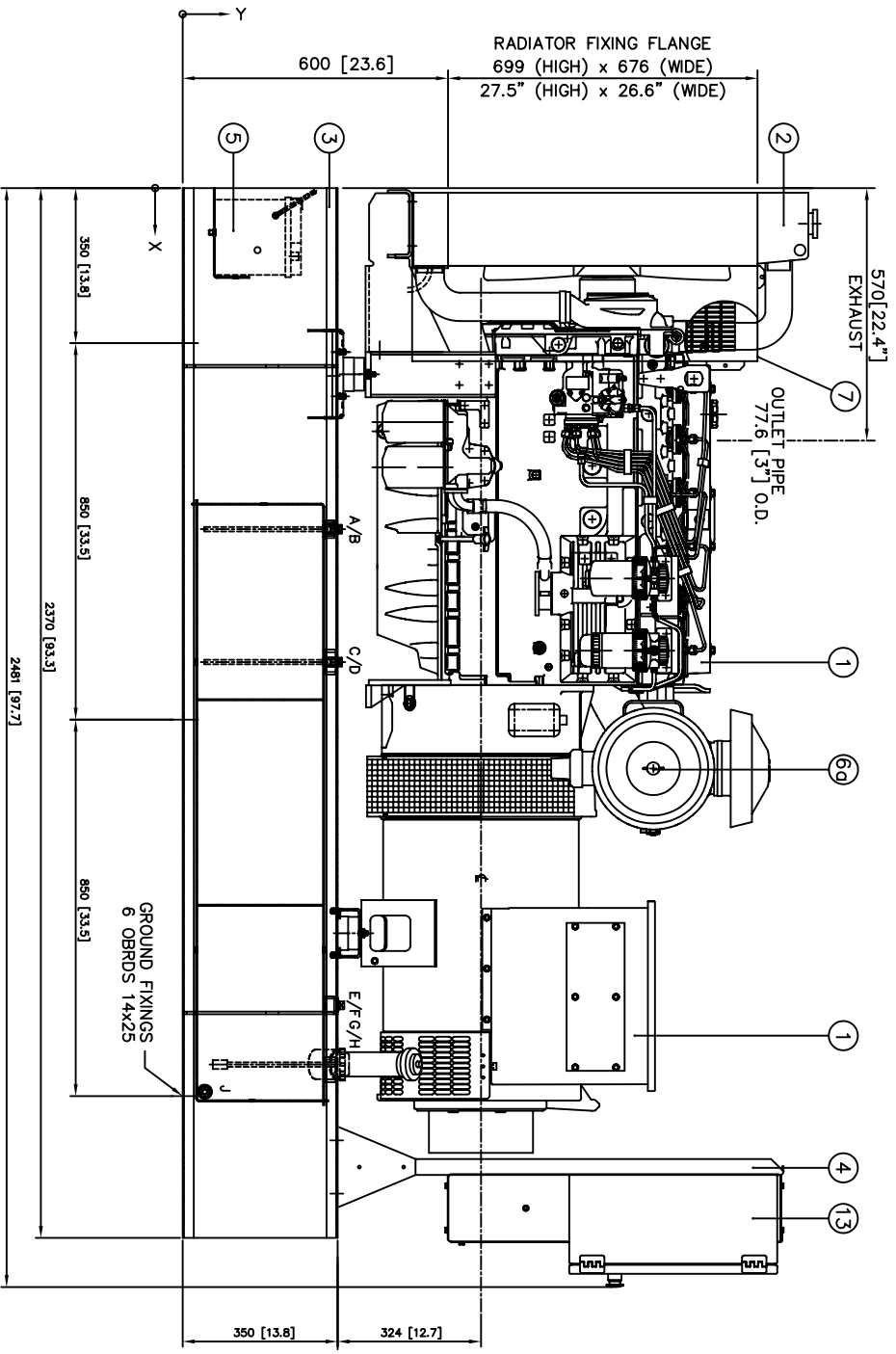


ITEM	DESCRIPTION	DIM X	DIM Y	DIM Z
A	3/8" BSP SOCKET	770	350	143
B	1" BSP SOCKET	770	350	593
C	3/8" BSP SOCKET	1070	350	143
D	1 1/2" BSP SOCKET	1070	350	593
E	1" BSP SOCKET	1845	350	143
F	1" BSP SOCKET	1845	350	593
G	2" BSP SOCKET	1990	350	368
H	1 1/2" BSP SOCKET	1990	350	593
J	3/4" BSP SOCKET	2040	50	67

ENG/ALT COMBINATION	WITH OIL	WITH OIL & WATER	DM X	DM Y
1006T01A / LL3014B	1240	1280	1090 [42.9"]	706 [27.8"]
1006T02A / LL3014B				
1006.6T / LL3014B	1405	1425	1185 [46.7"]	706 [27.8"]

NOTE: WEIGHTS AND COG TO BE CONFIRMED.

ITEM QTY:	DESCRIPTION	DMG./PART No.
1	ENGINE / ALTERNATOR COMBINATION	MSS3973
2	RADIATOR ASSEMBLY	MSS2447
3	BASEFRAME ASSEMBLY	MSS3302
4	PANEL STAND ASSEMBLY	MSS2448
5	BATTERY TRAY ASSEMBLY	MSS2484
6a	AIR FILTER ASSEMBLY (1006-T01A / T02A)	MSS2900
6b	AIR FILTER ASSEMBLY (1006-6T)	MSS2772
7	FAN / CHARGING ALT. GUARD ASSEMBLY (OUTLINE)	MSS2470
8	FUEL LINE ARRANGEMENT	MSS2462
9	COUPLING ARRANGEMENT	MSS2871
10	SENDERS & SENSORS UPFIT	MSS2429
11a	DECAL ARRANGEMENT - UNIVERSAL LABELS	MSS3055
11b	DECAL ARRANGEMENT - BRAND LABELS - B & W	MSS3062
11c	DECAL ARRANGEMENT - BRAND LABELS - O.Y.	MSS3063
11d	DECAL ARRANGEMENT - BRAND LABELS - OVA	MSS3064
12	EM UPFIT	MSS2414
13	CONTROL PANEL (IF FITTED)	-
14	CIRCUIT BREAKER (IF FITTED)	-
15	CEC GUARD UPFIT	MSS2475
16	LVI - LUBE OIL DRAIN ASSEMBLY	MSS2797
17	WVI - COOLANT DRAIN ASSEMBLY	MSS2798



ISSUE	DESCRIPTION	REV/ISSUE	BY	DATE
A	FIRST ISSUE	-	-	-
B	ENGINE/ALTERNATOR ALTERNATIVE ADDED	-	-	-
C	AAK ALTS LUBRIB/AV/ PART NOW CHANGED FROM T10-6B TO T10-6H	11245	R.L.V.	29/04/79
D	ADDED AIR FILTER REFERENCE FOR T08-4T ENGINE	7882	M.P.	18/02/70
E	BASE & OVAL UPFIT (C&D WAS 2400)/ ITEM W/ SVZ LISTS REVERSED	21060	C.M.	13/11/72
F	RECT-TOGETHER BASE W/ SOCKET REPAIRED WITH WELDED WISSORZ	21060	C.M.	13/11/72

REV/ISSUE	BY	DATE
1		
2		
3		
4		
5		
6		
7		

REV/ISSUE	BY	DATE
1		
2		
3		
4		
5		
6		
7		

REV/ISSUE	BY	DATE
1		
2		
3		
4		
5		
6		
7		

REV/ISSUE	BY	DATE
1		
2		
3		
4		
5		
6		
7		

REV/ISSUE	BY	DATE
1		
2		
3		
4		
5		
6		
7		

REV/ISSUE	BY	DATE
1		
2		
3		
4		
5		
6		
7		

REV/ISSUE	BY	DATE
1		
2		
3		
4		
5		
6		
7		

REV/ISSUE	BY	DATE
1		
2		
3		
4		
5		
6		
7		

REV/ISSUE	BY	DATE
1		
2		
3		
4		
5		
6		
7		

REV/ISSUE	BY	DATE
1		
2		
3		
4		
5		
6		
7		

REV/ISSUE	BY	DATE
1		
2		
3		
4		
5		
6		
7		

REV/ISSUE	BY	DATE
1		
2		
3		
4		
5		
6		
7		

REV/ISSUE	BY	DATE
1		
2		
3		
4		
5		
6		
7		

REV/ISSUE	BY	DATE
1		
2		
3		
4		
5		
6		
7		

REV/ISSUE	BY	DATE
1		
2		
3		
4		
5		
6		
7		

REV/ISSUE	BY	DATE
1		
2		
3		
4		
5		
6		
7		

REV/ISSUE	BY	DATE
1		
2		
3		
4		
5		
6		
7		

REV/ISSUE	BY	DATE
1		
2		
3		
4		
5		
6		
7		

REV/ISSUE	BY	DATE
1		
2		
3		
4		
5		
6		
7		

REV/ISSUE	BY	DATE
1		
2		
3		
4		
5		
6		
7		

REV/ISSUE	BY	DATE
1		
2		
3		
4		
5		
6		
7		

REV/ISSUE	BY	DATE
1		
2		
3		
4		
5		
6		
7		

REV/ISSUE	BY	DATE
1		
2		
3		
4		
5		
6		
7		

REV/ISSUE	BY	DATE
1		
2		
3		
4		
5		
6		
7		

REV/ISSUE	BY	DATE
1		
2		
3		
4		
5		
6		
7		

REV/ISSUE	BY	DATE
1		
2		
3		
4		
5		
6		
7		

REV/ISSUE	BY	DATE
1		
2		
3		
4		
5		
6		
7		

REV/ISSUE	BY	DATE
1		
2		
3		
4		
5		
6		
7		

REV/ISSUE	BY	DATE
1		
2		
3		
4		
5		
6		
7		

REV/ISSUE	BY	DATE
1		
2		
3		
4		
5		
6		
7		

REV/ISSUE	BY	DATE
1		
2		
3		
4		
5		
6		
7		

REV/ISSUE	BY	DATE
1		
2		
3		
4		
5		
6		
7		

REV/ISSUE	BY	DATE
1		
2		
3		
4		
5		
6		
7		

REV/ISSUE	BY	DATE
1		
2		
3		
4		
5		
6		
7		

REV/ISSUE	BY	DATE
1		
2		
3		
4		
5		
6		
7		

REV/ISSUE	BY	DATE
1		
2		
3		
4		
5		
6		
7		

REV/ISSUE	BY	DATE
1		
2		
3		
4		
5		
6		
7		

REV/ISSUE	BY	DATE
1		
2		
3		
4		
5		
6		
7		

REV/ISSUE	BY	DATE
1		
2		
3		
4		
5		
6		
7		

REV/ISSUE	BY	DATE
1		
2		
3		
4		
5		
6		
7		

REV/ISSUE	BY	DATE
1		
2		
3		
4		
5		
6		
7		

REV/ISSUE	BY	DATE
1		
2		
3		
4		
5		
6		
7		

REV/ISSUE	BY	DATE
1		
2		
3		
4		
5		
6		
7		

REV/ISSUE	BY	DATE
1		
2		
3		
4		
5		
6		
7		

REV/ISSUE	BY	DATE
1		
2		
3		
4		
5		
6		
7		

REV/ISSUE	BY	DATE
1		
2		
3		
4		
5		